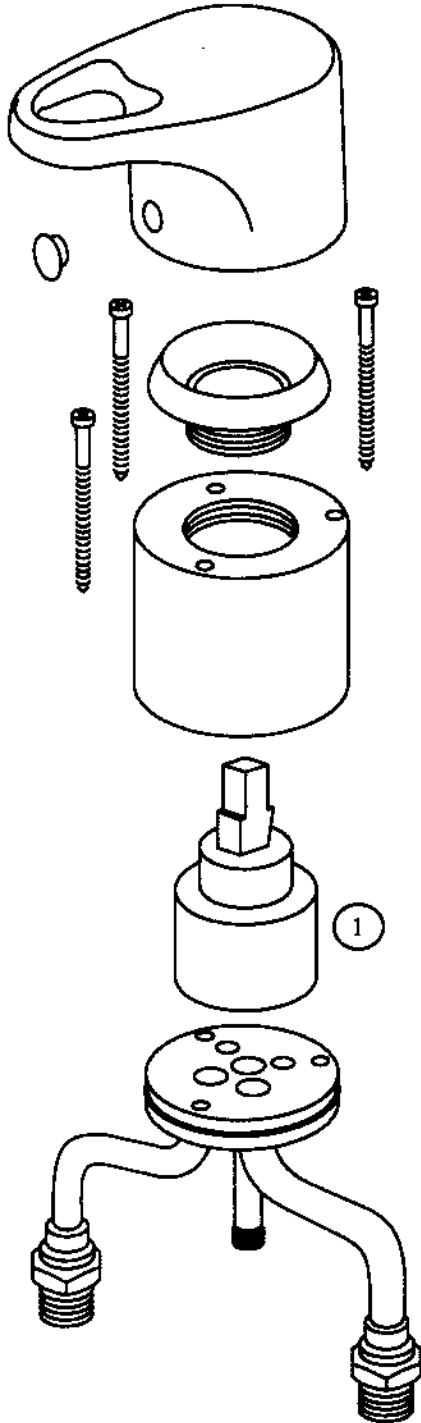


522 Fixture



Bagged Assembly Number	Description	List Price
------------------------	-------------	------------

5001818	1 Cartridge	\$15
---------	-------------	------

* Not available as service part.