

MI/472



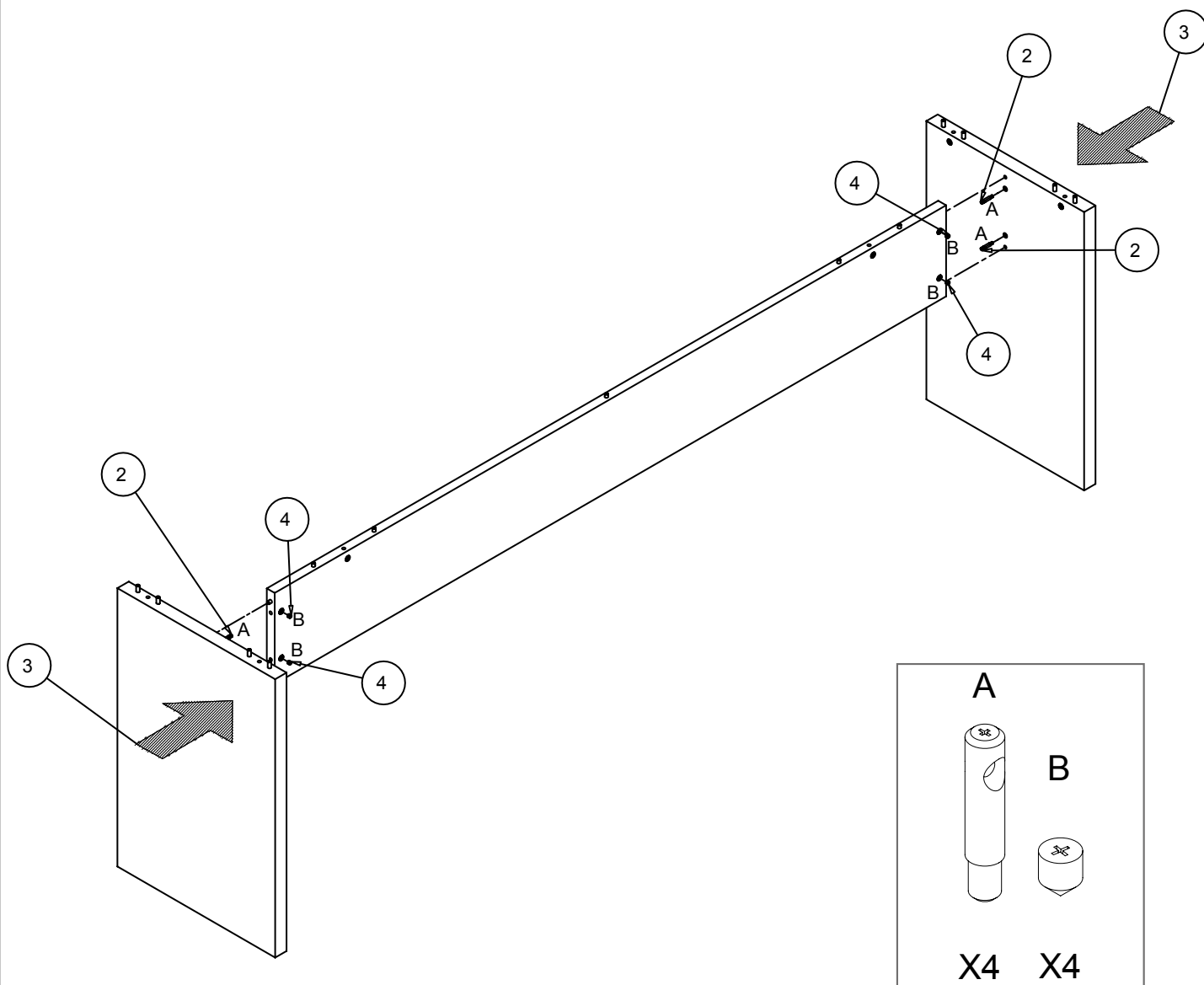
MI/474



MI/482



MI/484



MI/472



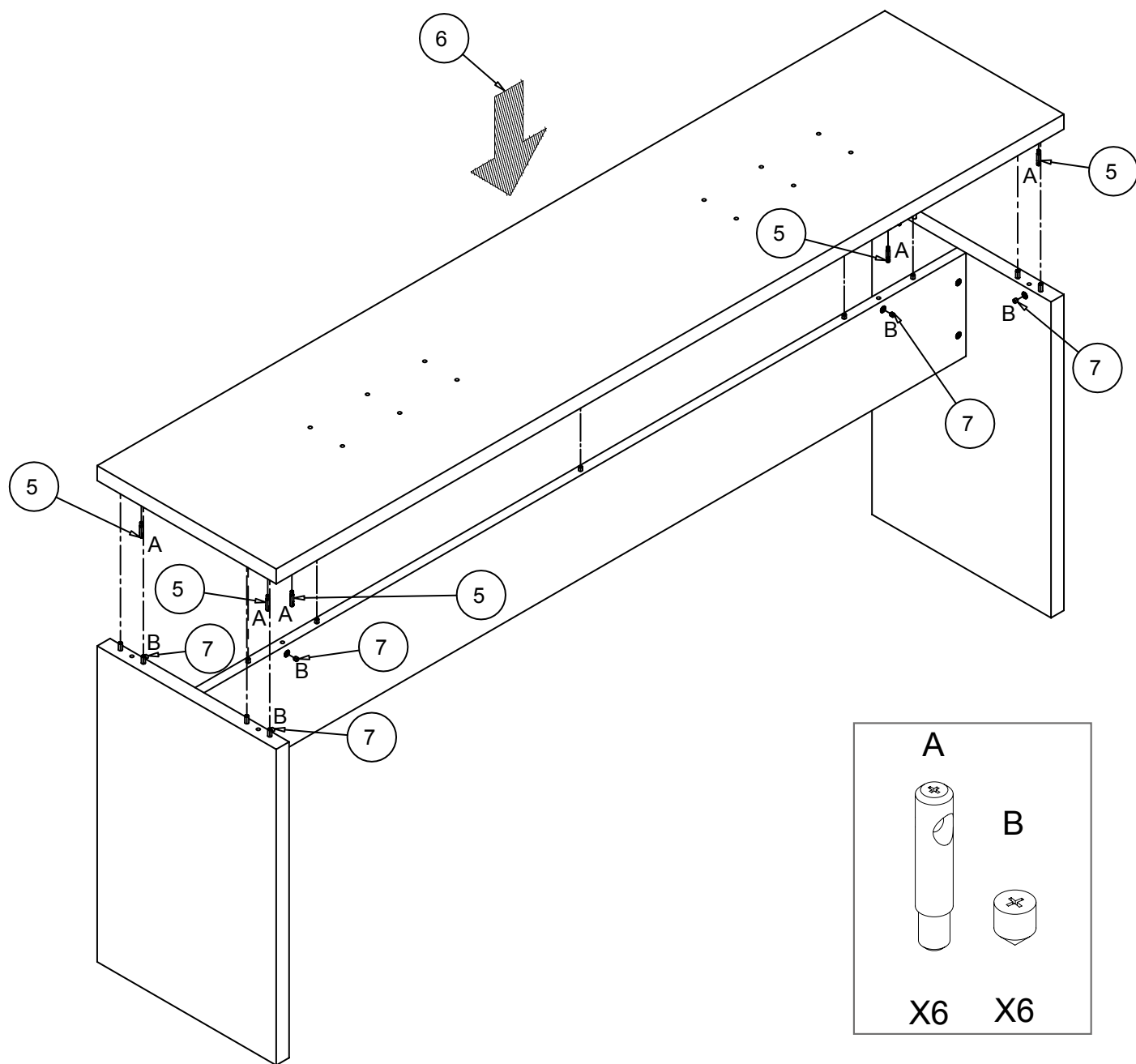
MI/474



MI/482



MI/484



MI/472



MI/474



MI/482



MI/484

