

BACKWASH UNIT INSTRUCTION MANUAL

5236W& BL/5237W&BL/5243W&BL



PLUMBING REQUIREMENTS: All plumbing to be planned and performed by a qualified, licensed plumber. We cannot be responsible for knowing all local plumbing codes. Therefore, it is solely your responsibility to check your plumbing plan layout with your local plumbing inspector prior to starting any and all plumbing work.

NOTE: The 5236-5237-5243 white or black bowl is shipped partially assembled for your convenience. That unit must be bolted (**BOLTS NOT INCLUDED**) to the floor using the mounting located at the bottom of the shampoo bowl casing using the following guidelines.

- 1.- Place the unit in the desired location
- 2.- Drill a small pilot hole using the mounting holes in the casing as a guide.
- 3.- Bolt the casing down to the floor with appropriate bolts for your type of floor.
- 4.- Bolts not included with the unit.



BACKWASH UNIT INSTRUCTION MANUAL

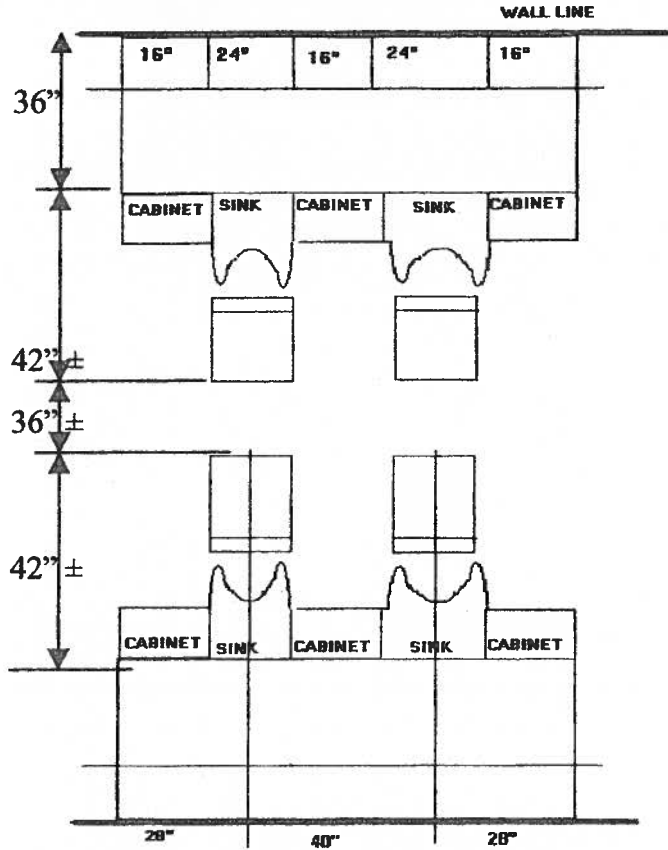
5236W& BL/5237W&BL/5243W&BL



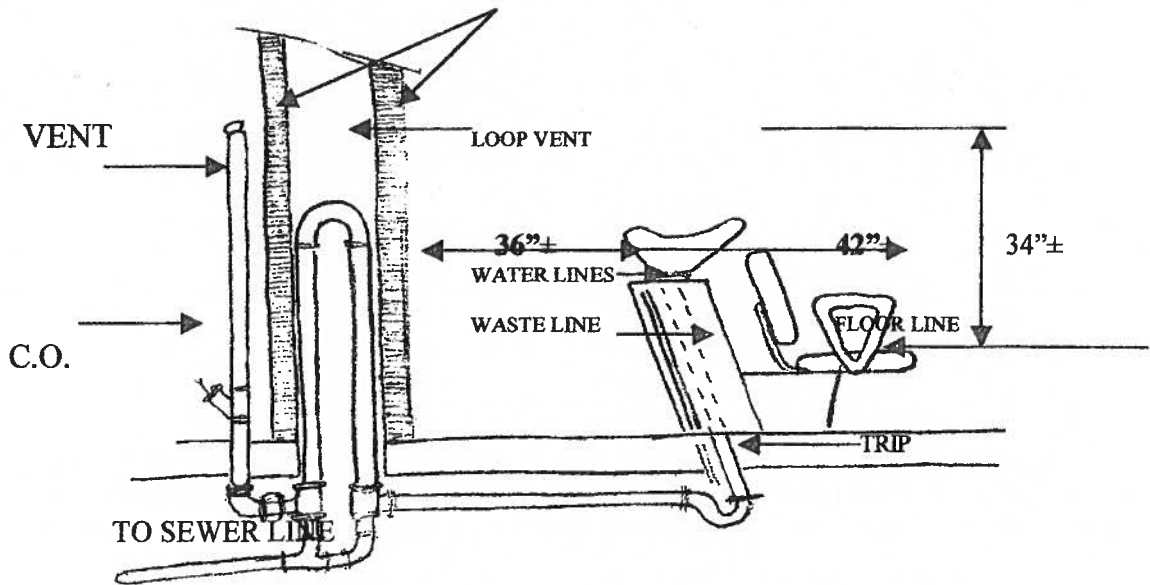
PLUMBING REQUIREMENTS: All plumbing to be planned and performed by a qualified, licensed plumber. We cannot be responsible for knowing all local plumbing codes. Therefore, it is solely your responsibility to check your plumbing plan layout with your local plumbing inspector prior to starting any and all plumbing work.

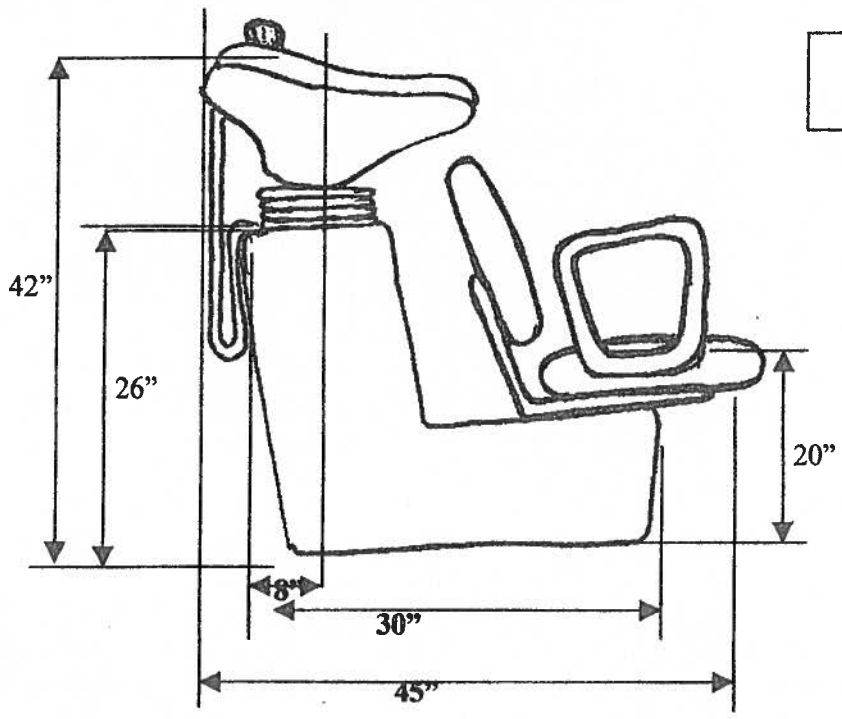
NOTE: The 5236-5237-5243 white or black bowl is shipped partially assembled for your convenience. That unit must be bolted (**BOLTS NOT INCLUDED**) to the floor using the mounting located at the bottom of the shampoo bowl casing using the following guidelines.

- 1.- Place the unit in the desired location
- 2.- Drill a small pilot hole using the mounting holes in the casing as a guide.
- 3.- Bolt the casing down to the floor with appropriate bolts for your type of floor.
- 4.- Bolts not included with the unit.



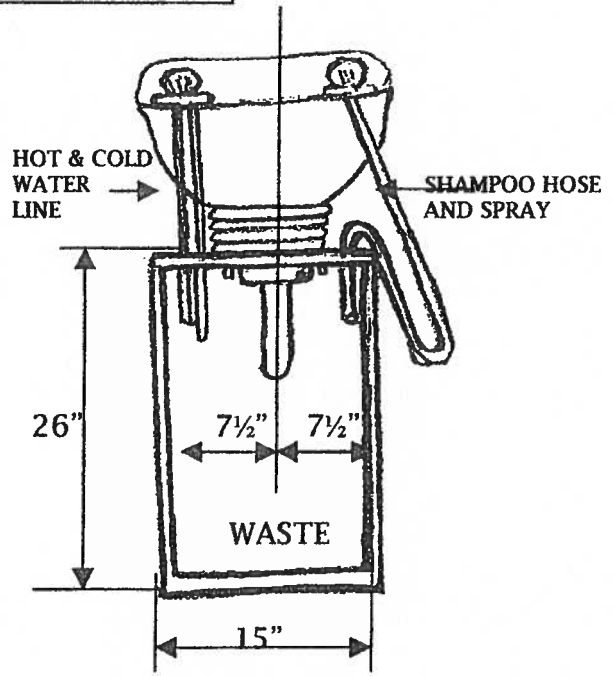
WALLS



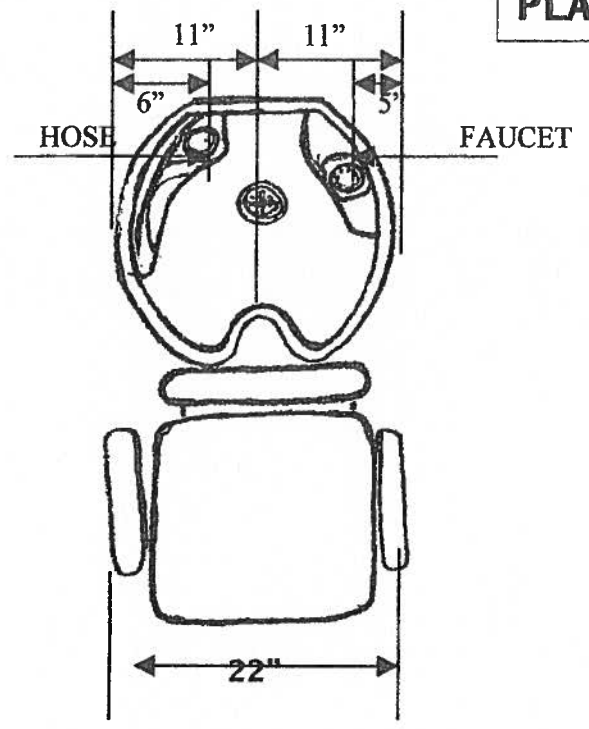


SIDE VIEW

REAR VIEW



PLAN

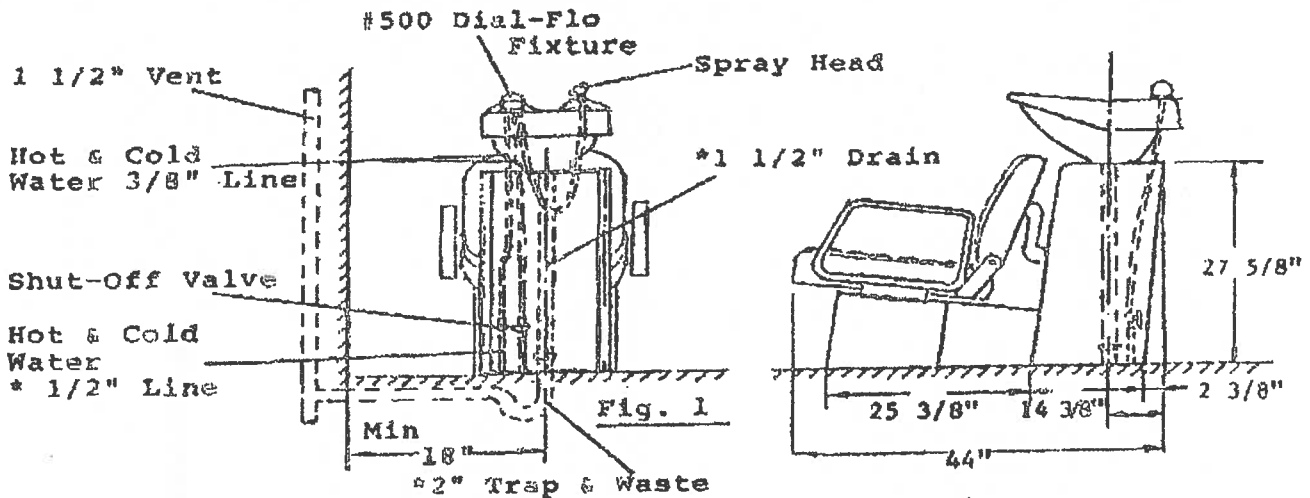




Pibbs Industries
Salon Furnishings

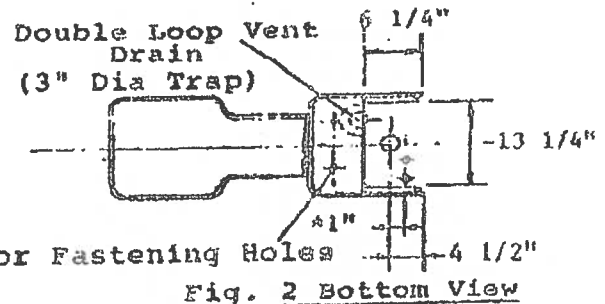
SUGGESTED PLUMBING INSTALLATION

A. PLUMBING FROM FLOOR W/P TRAP (SINGLE UNIT)

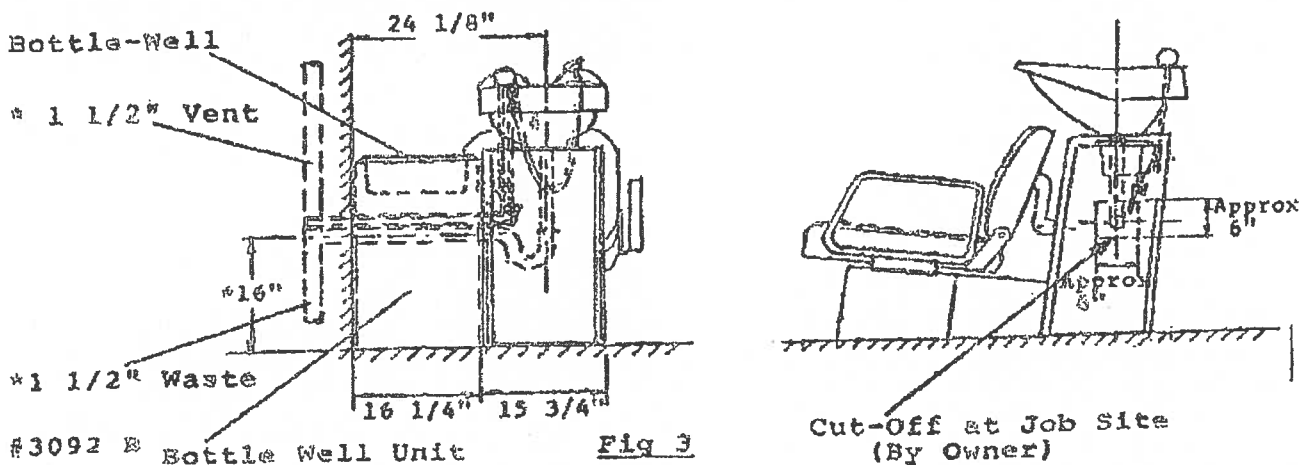


NOTE:
*These dimensions must follow the local plumbing code. Please refer to your plumber.

The unit must be secured to floor in proper manner.



B. PLUMBING FROM SIDE WALL W/E-TRAP



Application for Extension Type: Plumbing

Board Meeting Date: 10/1/2008

Manufacturer: P. S. Pibbs Industries

Product Name Model Action Approval Code : Expiration Date/Tabling Reason



Commonwealth of Massachusetts
Division of Professional Licensure
Board of Examiners of Plumbers and Gasfitters
4th Floor
239 Causeway Street, Boston, MA 02114

P. S. Pibbs Industries
133-15 32nd Ave.
Flushing
NY, 11354 USA

October 3, 2008

You are hereby advised that on 10/1/2008 the Board took action pursuant to your application(s) for extended Product-approval for product(s) as indicated on the attached list.

Approvals

The approval number(s) displayed have been granted. Please be advised, the product shall be installed in compliance with CMR 248, the Massachusetts Fuel Gas and Plumbing Code. Your extended Product-approval is in effect for three years beginning 10/1/2008. At the expiration of the extended three year Product-approval it will be necessary for the manufacturer to petition this Board for an additional three year extended Product-approval. You are further advised that the preceding Product-approvals are not to be construed as an endorsement of these products nor is this letter to be used or reproduced as advertisement of the products.

Tablings

If an extended Product-approval was Tabled for 'insufficient receipt of (a specified) fee', forward the balance of the fee due, directly to the Board Office at the address shown above. Additionally, if this is the only reason for the Tabling decision, you will not be required to appear before the Board again.

If an extended Product-approval was Tabled due to the absence of a manufacturers representative-'Failure to Appear' as required, call the Board Office at (617) 727-9952 to re-schedule an appearance before the Board. Failure to reschedule within six months of the date of this correspondence will result in the application fee being forfeited and the closing of your file. Note: extended Product-approvals may not require a manufacturers representative to be present at the Board meeting. Please call the Board Office for verification.

If you have any questions regarding the extended Product-approval decision reached by the Board, please call the Board Office at (617) 727-9952 or email the Board at Cynthia.E.Johnson@state.ma.us.

Very truly yours,
for the Board


Joseph A. Peluso, Jr., Executive Director
Board of State Examiners of Plumbers and Gas Fitters

Application for Extension **Type: Plumbing**

Board Meeting Date: **10/1/2008**

Manufacturer: P. S. Pibbs Industries

Product Name	Model	Action	Approval Code : Expiration Date/Tabling Reason	
Complete Faucet w/sprayer	585/586	10/1/2011	P3-1008-107	Approved
Millenium bowl	bowl4/bowl5	10/1/2011	P3-1008-107	Approved
Prince Bowl	0548/0607	10/1/2011	P3-1008-107	Approved
whirlpool pedi spa	PS83	10/1/2011	P3-1008-107	Approved
Young bowl	bowl2/bowl3	10/1/2011	P3-1008-107	Approved

NSF International
OFFICIAL LISTING

This is a Certification by NSF that these products conform to the requirements of NSF standard 61- Drinking Water Components- Health Effects

June 13, 2002

Saint-Gobain Ceramiques Avancees
Desmarquest
48, Rue Des Vignerons
94685 Vincenees, France
33 14 818 5183

Plant at: Courtnay Cedex, France

Mechanical Plumbing Device

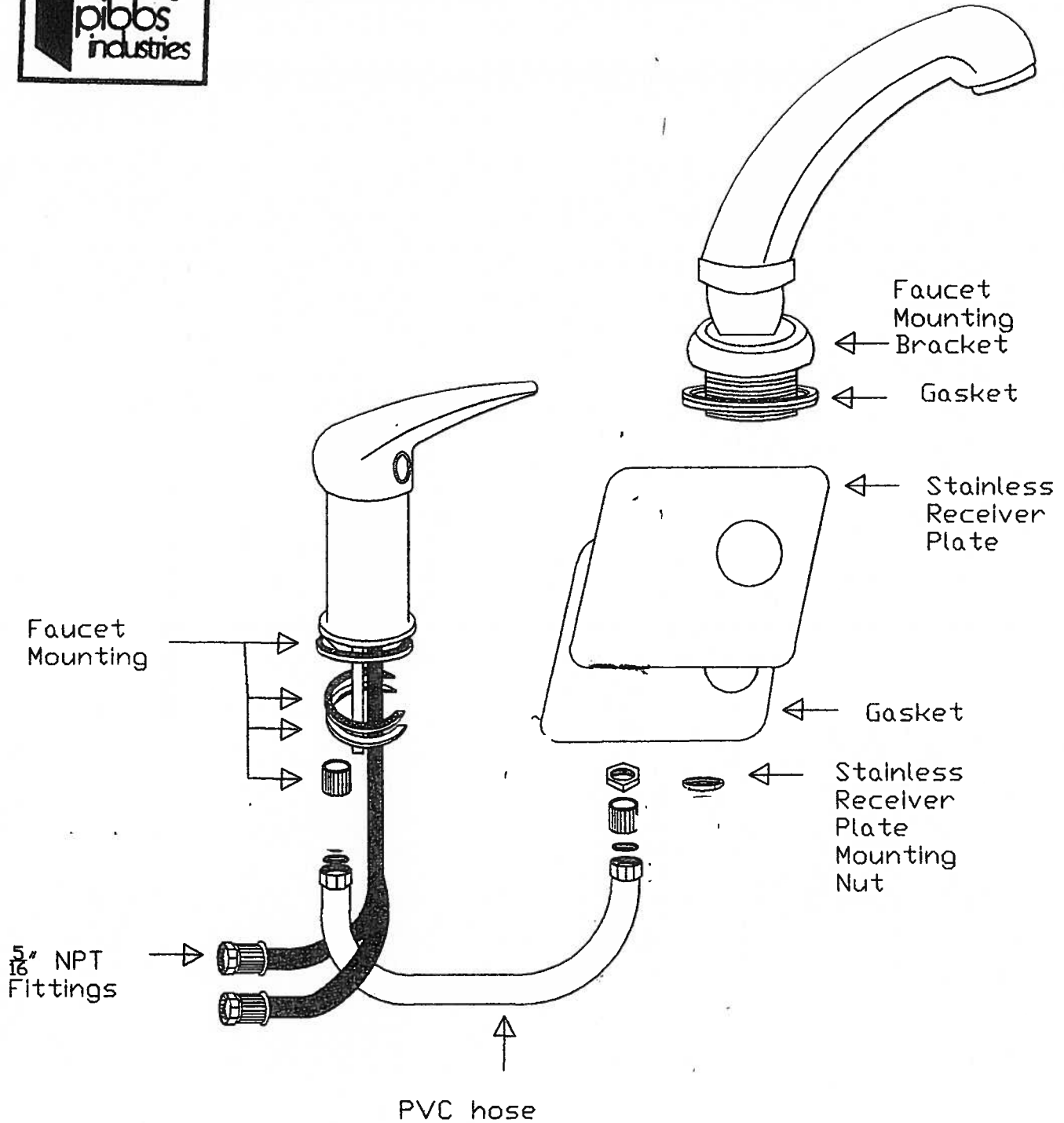
Trade Designation
Cartridge Valves
Optima Series [1]
CR 38 F
OP 35 XYW
OP 40 XYZ

[1] X=flow option
F1 or F=restricted flow
O=free flow
ES=Spain
Y=screen option
SG=without acoustic screen
G=with acoustic screen
W=adjustment option
DI=Distributor lever

THE SHAMPOO SINK USED IN PIBBS MODELS PRINCE, MILLENNIUM AND YOUNG
COMPLIES WITH THE AMERICAN NATIONAL STANDARD ASME A112.19.2

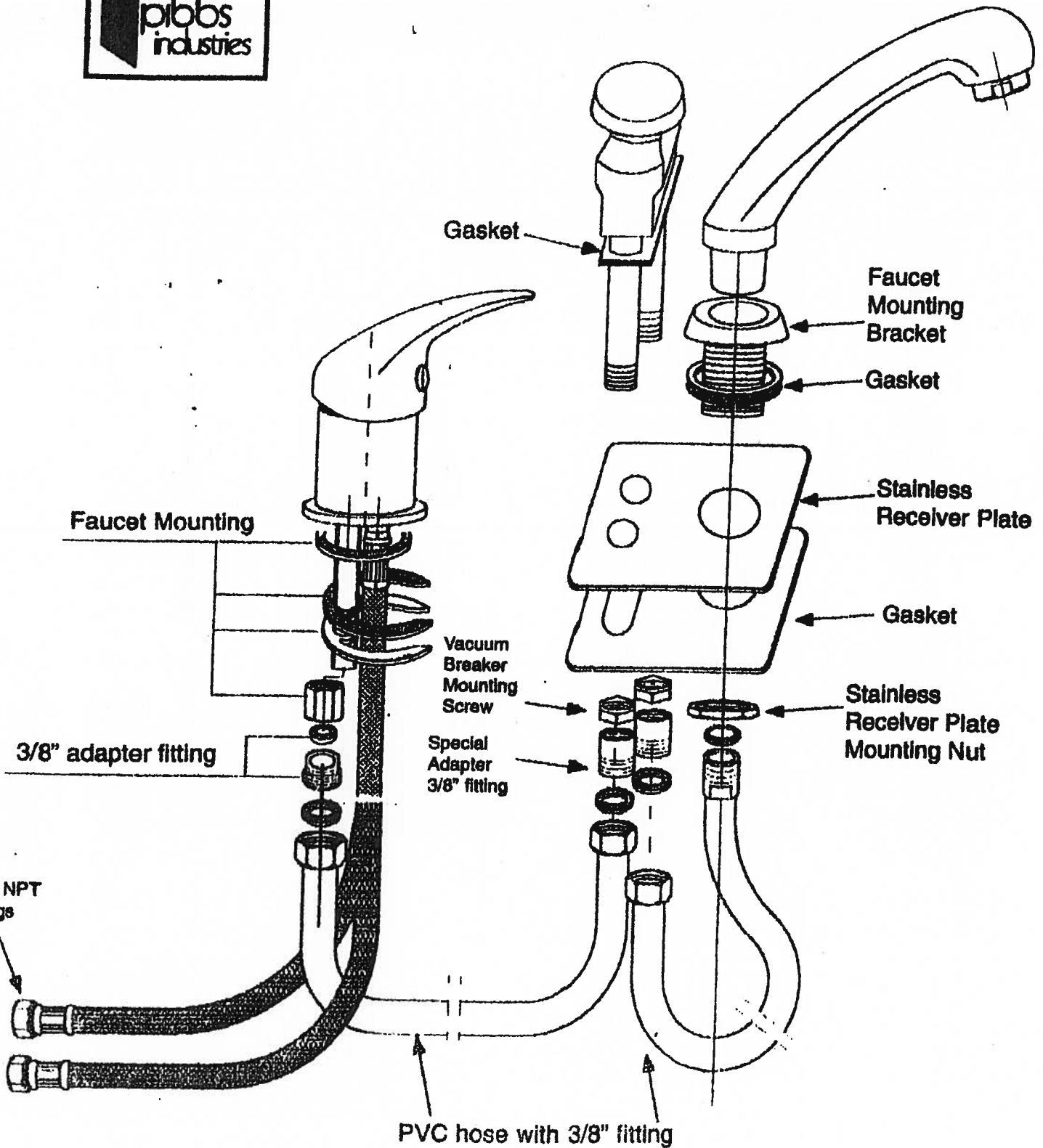


565 FAUCET MOUNTING



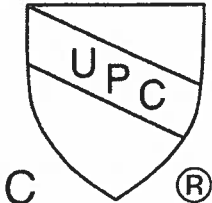


565 Faucet Mounting with Optional Vacuum Breaker



IAPMO RESEARCH AND TESTING, INC.

5001 East Philadelphia Street, Ontario, California 91761-2816 • (909) 472-4100 Fax (909) 472-4244 • www.iapmo.org



CERTIFICATE OF LISTING

IAPMO Research and Testing, Inc. is a product certification body which tests and inspects samples taken from the supplier's stock or from the market or a combination of both to verify compliance to the requirements of applicable codes and standards. This activity is coupled with periodic surveillance of the supplier's factory and warehouses as well as the assessment of the supplier's Quality Assurance System. This listing is subject to the conditions set forth in the characteristics below and is not to be construed as any recommendation, assurance or guarantee by IAPMO Research and Testing, Inc. of the product acceptance by Authorities Having Jurisdiction.

Effective Date: May 2013

-Rev. 5/8/2013-

Void After: May 2014

Product: Vacuum Breakers (Atmospheric)

File No. 4943

Issued To:

Pibbs Industries
133-15 32nd ave
Flushing, NY 11354

Identification: Atmospheric type vacuum breaker assemblies shall be permanently and legibly marked with manufacturer's name or trademark, model number, maximum rated working pressure and temperature, nominal valve size, direction of water flow, and "B64.1.1". If applicable, markings shall include the critical level and "Deck Mounted". Product shall also bear the cUPC® certification mark. Markings shall be either cast, etched, stamped or engraved on the body on the assembly or on a durable metal plate securely fastened to the assembly.

Characteristics: Pipe-applied atmospheric type vacuum breakers to be installed in accordance with the manufacturer's instructions and the requirements of the latest edition of the Uniform Plumbing Code.

Products listed on this certificate have been tested by an IAPMO R&T recognized laboratory. This recognition has been granted based upon the laboratory's compliance to the applicable requirements of ISO/IEC 17025.

Products are in compliance with the following code(s):


Chairman, Product Certification Committee

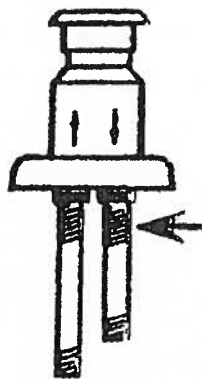
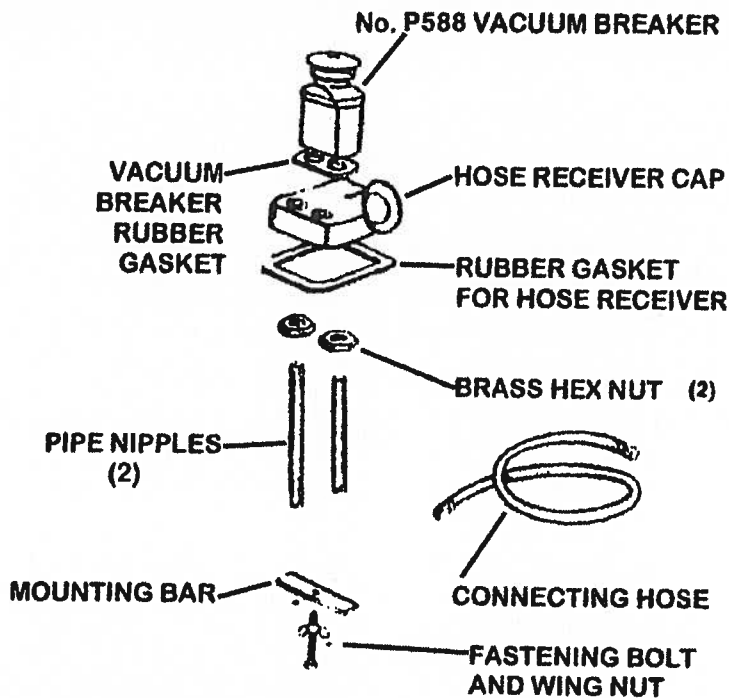

CEO, The IAPMO Group

For the most accurate and updated information please visit <http://pld.iapmo.org/4943>

This listing period is based upon the last date of the month indicated on the Effective Date and Void After Date shown above. Any change in material, manufacturing process, marking or design without having first obtained the approval of the Product Certification Committee, or any evidence of non-compliance with applicable codes and standards or of inferior workmanship, may be deemed sufficient cause for revocation of this listing. Production of or reference to this form for advertising purposes may be made only by specific written permission of IAPMO Research and Testing, Inc. Any alteration of this certificate could be grounds for revocation of the listing.



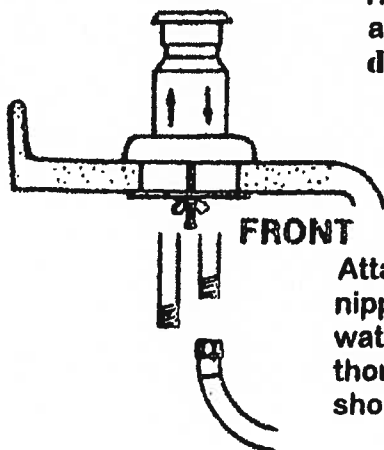
P588C Vacuum Breaker Kit



Pre-assemble Vacuum Breaker, hose receiver cap and pipe nipples with the short pipe installed in line with the arrow on the Vacuum Breaker body pointing down.

Note: USE TEFLON TAPE ON THREADS

Attach the assembly with rubber gasket to the bowl and place the fastening bolt and wing nut through the mounting bar. Thread bolt in to hose receiver cap, align and tighten securely by hand only, do not over tighten.



Attach connecting hose to the long pipe nipple (arrow pointing up) then to the water outlet on faucet. Insert spray hose through receiver cap and attach to the short pipe (arrow pointing down).

Pibbs Industries
133-32nd Ave
Flushing, NY 11354
www.pibbs.com
Tel. (718) 445-8046
(800) 551-5020
Fax. (718) 461-3910



565

P589C

FAUCET MOUNTING WITH OPTIONAL

VACUUM BREAKER (FOR BACKWASH UNIT)

****NOTE-ITEMS # P588C/W INDICATES LONGER PIPE NIPPLES-10"-TO COMPLY WITH CERTAIN STATE REQUIREMENTS**

