

# *Salon Ambience*

SUBLIME WU/160  
WU/161  
WU/162

Contains information regarding  
installation and maintenance for  
the Salon Ambience SUBLIME  
shampoo units.

UK

# INDEX

## CHAPTER 1: INTRODUCTION

Introduction.....	15
About your shampoo unit.....	16

## CHAPTER 2: INSTALLATION

Measurements.....	17
Install your shampoo unit: Water.....	18
Install your shampoo unit: Electricity.....	19

## CHAPTER 3: INSTRUCTIONS

Using your shampoo unit: Sublime WU/160.....	20
Using your shampoo unit: Sublime WU/161.....	21

## APPENDIX

General maintenance.....	22
Cleaning.....	22
Technical characteristics.....	22
Declaration of conformity.....	63

# INTRODUCTION

SUBLIME WU/160  
WU/161

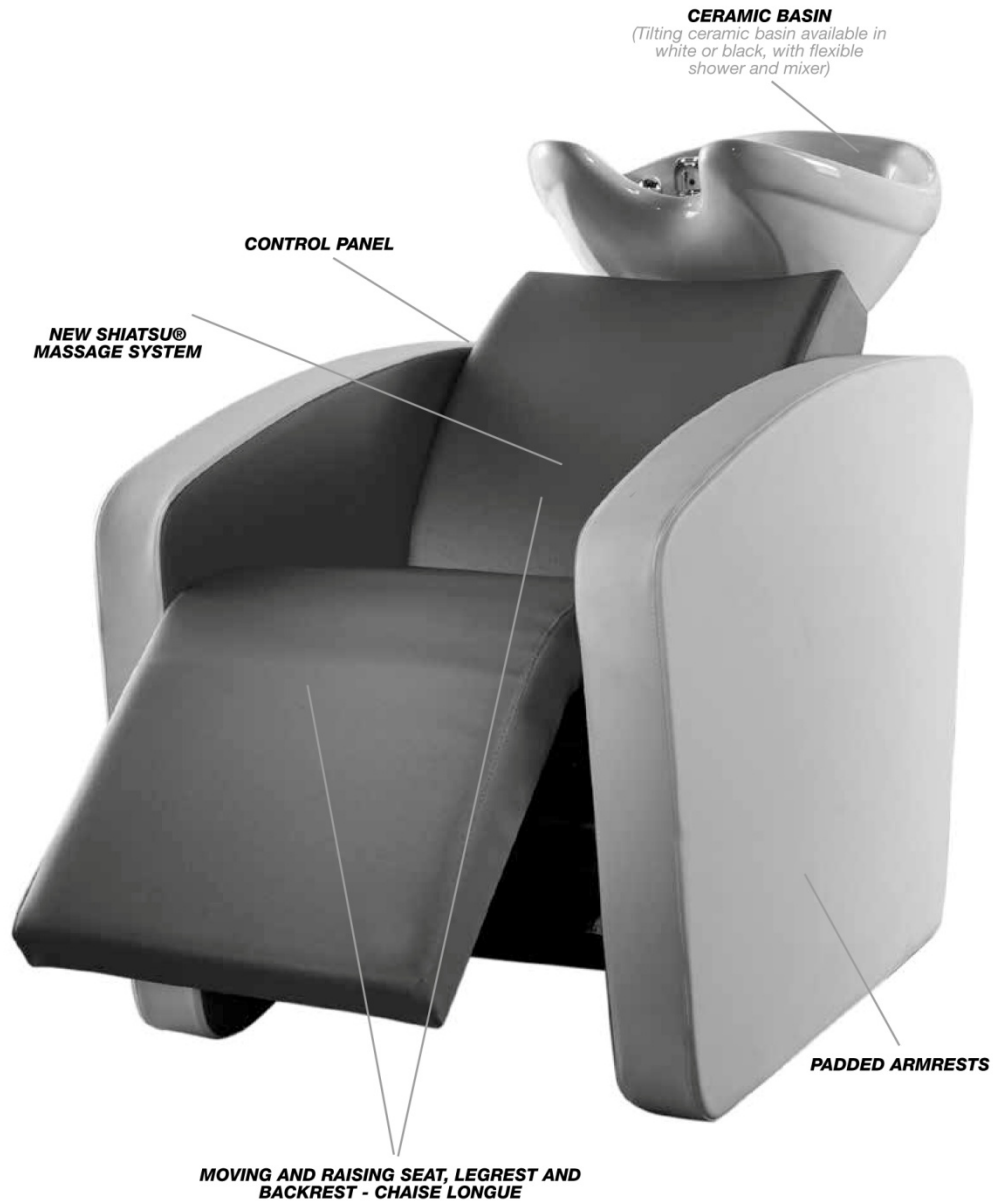
**Thankyou for choosing this Salon Ambience  
shampoo unit - an excellent choice!**

The stunning SUBLIME shampoo units from Salon Ambience offer amazing comfort and style - refined and carefully studied in every detail, the Sublime presents an electric legrest and moving seat that arrives at a semi-reclined position. It is also available with a massage system. SUBLIME adds style to the salon, while still retaining the remarkable comfort expected of any Salon Ambience product.

The NEW SHIATSU® massage of the new SUBLIME Salon Ambience washunit is specifically designed to relax the muscles and ease tension in the lumbar, sacrum and dorsal areas, leaving a feeling of lightness, tone and relaxation in the client. The massage works on four different pressure points and has a wider working surface than current shiatsu systems.

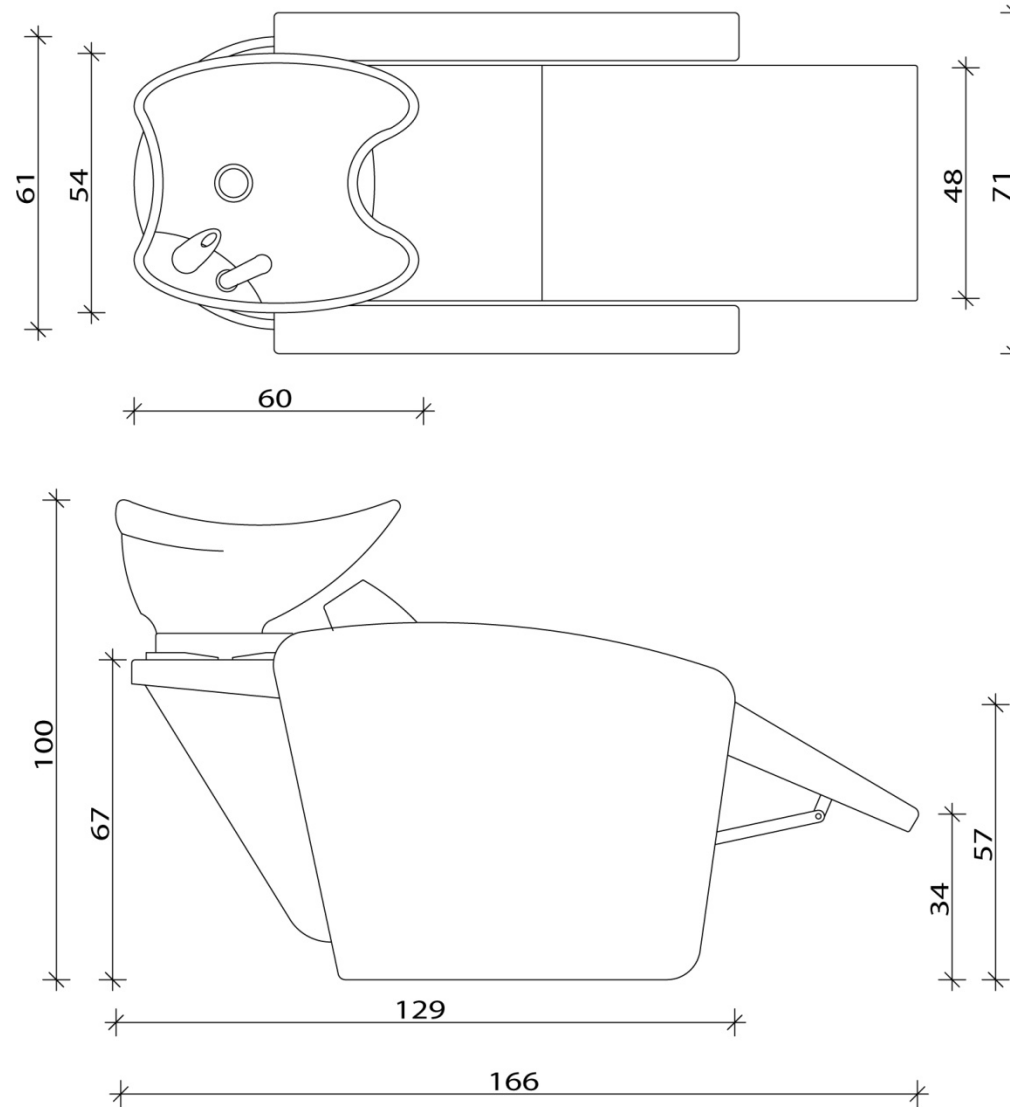
# ABOUT YOUR SHAMPOO UNIT

Available in a wide range of Sky Colours

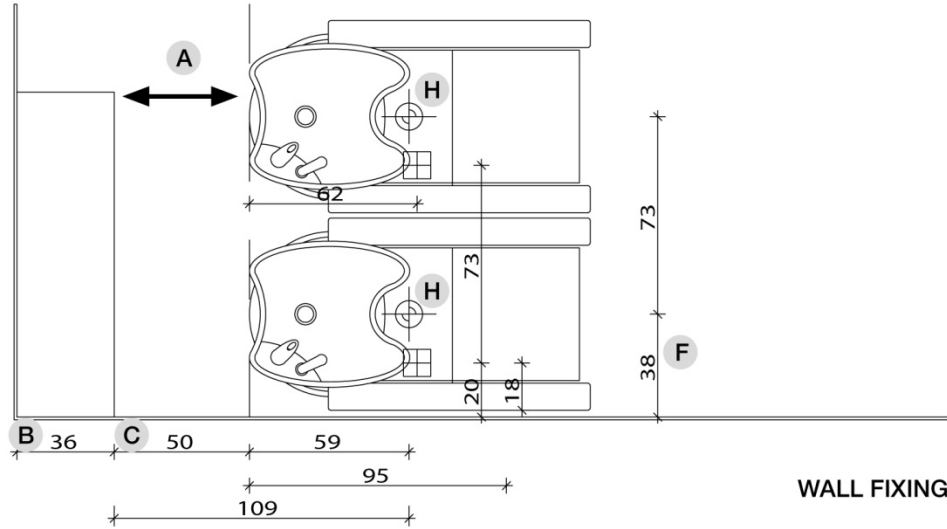


# INSTALLATION

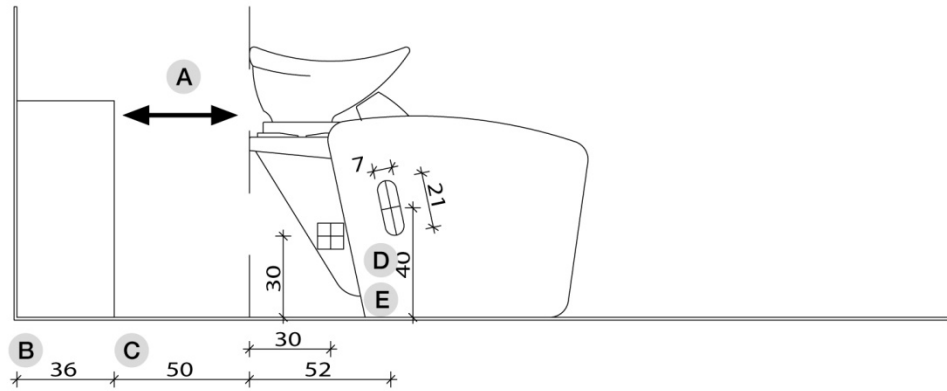
## MEASUREMENTS



PAVEMENT FIXING

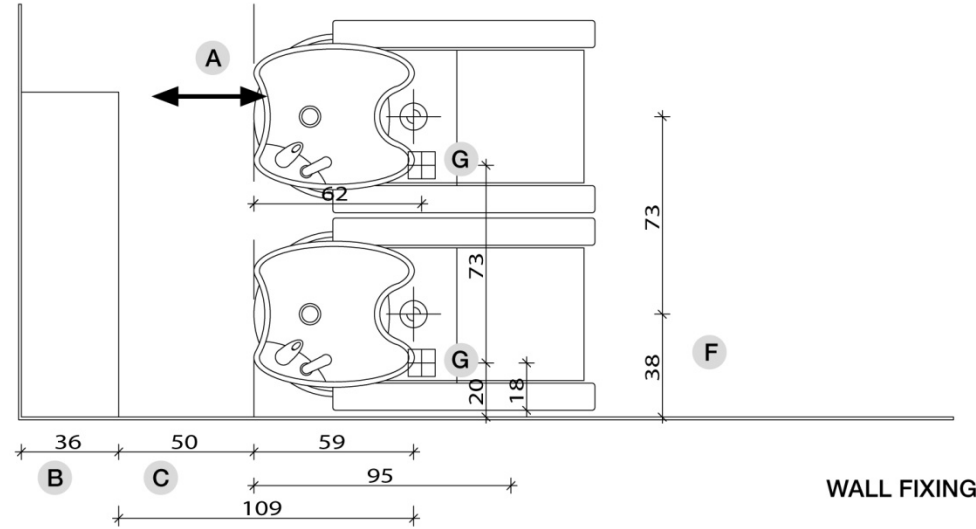


WALL FIXING

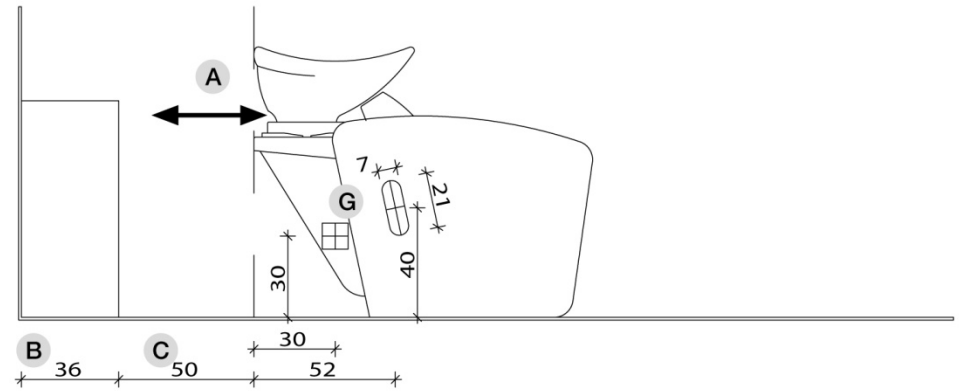


- D** Hot and cold water inlet tube
- E** Water outlet tube
- F** Measurement from wall
- H** Water Inlet 3/8" - Outlet ø40

PAVEMENT FIXING



WALL FIXING



- A** Work space
- B** 36cm for 'Service Centre' cabinet  
48cm for 'Wall System' cabinet
- C** Variable measurement - No less than 50 cm
- F** Measurement from wall
- G** Electric point - 220V

# APPENDIX

## GENERAL MAINTENANCE

Please remember to always disconnect the shampoo unit from the mains supply during any eventual repair, and always by authorised personnel.

Avoid leakage from arriving to the electric socket; occasionally check that all attachments are secure, and always by authorised personnel.

Occasionally check the basin fixing to ensure correct support and movement.

## CLEANING

When cleaning upholstery, use only water and a neutral soap.

Never use alcohol-based products to clean the shampoo unit.

**INSPECT WATER SYSTEM FITTINGS AND MASSAGE WHEEL RUBBER SHEET PROTECTION EVERY SIX MONTHS AND, DEPENDING ON FREQUENCY OF USE, LUBRICATE WITH A SYNTHETIC GREASE EG. TOPAS NB 52.**

### CAUTION

Do not allow children to play on this mechanised furniture or operate the mechanism. Legrest folds down on closing so that a child could possibly be injured. Always leave in an upright and closed position. Keep hands and feet clear of mechanism.

*Salon Ambience*

Mod: **SUBLIME**

230 V 50/60 HZ 100W

